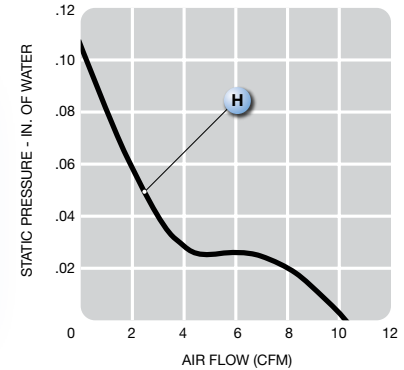
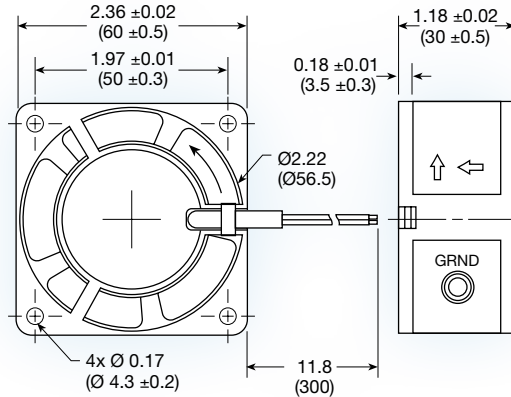


UF60D series



(60 x 60 x 30 mm)
2.36 x 2.36 x 1.18 inches

Operating voltage: 115 or 230 VAC

Construction: aluminum die cast frame;
UL94V-0 PBT impeller

Bearing option: ball bearing

Motor: shaded pole

Air Flow: exhaust over struts

Connection: 22 AWG lead wire

Protection: impedance

Option: IP55

| Model No. | Rated Voltage V | Freq. HZ | Input Power W | Rated Cur. A | Locked Cur. A | Speed RPM | Air Volume | | Max. Static Pressure (H ₂ O) | | Sound Noise dbA | Weight kg |
|-------------|--------------------|-------------|------------------|-----------------|------------------|--------------|----------------------|------|---|------|--------------------|--------------|
| | | | | | | | M ³ /Min. | CFM | MM | INCH | | |
| UF60D12-__H | 115 | 60 | 4 | 0.035 | 0.040 | 3,100 | 0.29 | 10.2 | 2.8 | 0.11 | 28 | 0.14 |
| UF60D23-__H | 230 | 60 | 4 | 0.016 | 0.020 | 3,100 | 0.29 | 10.2 | 2.8 | 0.11 | 28 | 0.14 |

